

**Pentair Water Italy S.r.l.**  
 Via Masaccio, 13  
 56010 Lugnano (PI)  
 ITALY

Drawn A. Bertola  
 Approved M. Bernacca

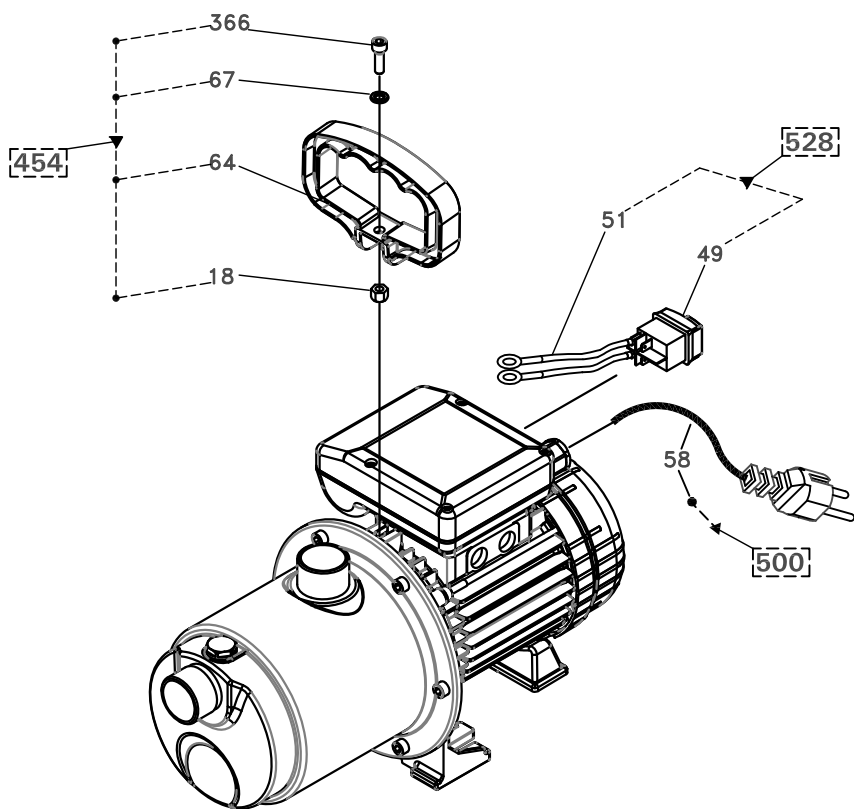
Title Multi EVO-A 3 - 5 m<sup>3</sup>/h;  
 Multi EVO-A C 3 - 5 m<sup>3</sup>/h  
 Date (dd/mm/yy) 10/10/2014  
 Dwg #

Sheet 1 of 2

DR140006\_01

B

B



A

A



**Pentair Water Italy S.r.l.**  
 Via Masaccio, 13  
 56010 Lugnano (PI)  
 ITALY

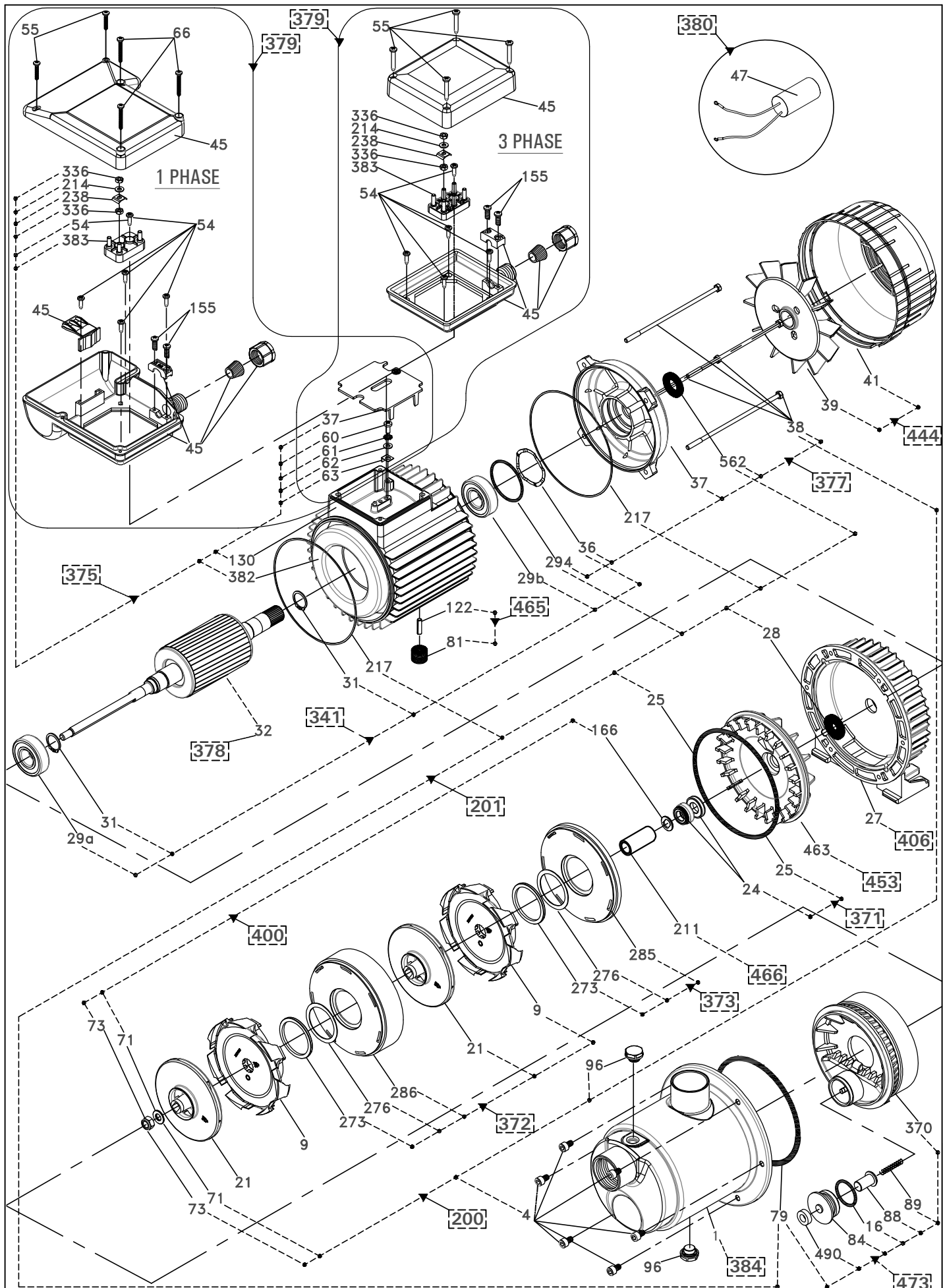
Drawn  
 A.Bertola  
 Approved  
 M.Bernacca

Title  
 Multi EVO-A 3 - 5 m<sup>3</sup>/h;  
 Multi EVO-A C 3 - 5 m<sup>3</sup>/h  
 Date (dd/mm/yy)  
 10/10/2014

Dwg #

DR140006\_01

Sheet  
 2 of 2



**PENTAIR** Pentair Water Italy S.r.l.  
 Via Masaccio, 13  
 56010 Lugnano (PI)  
 ITALY

Drawn A.Bertola  
 Approved M.Bernacca

Title Multi EVO A 8 m3/h  
 Date (dd/mm/yy) 27/07/2014  
 Dwg #

Sheet 1 of 1

DR140008\_01

This drawing is the absolute property of Pentair Water Italy S.r.l. It may not be reproduced in any form without the written permission of Pentair Water Italy S.r.l.