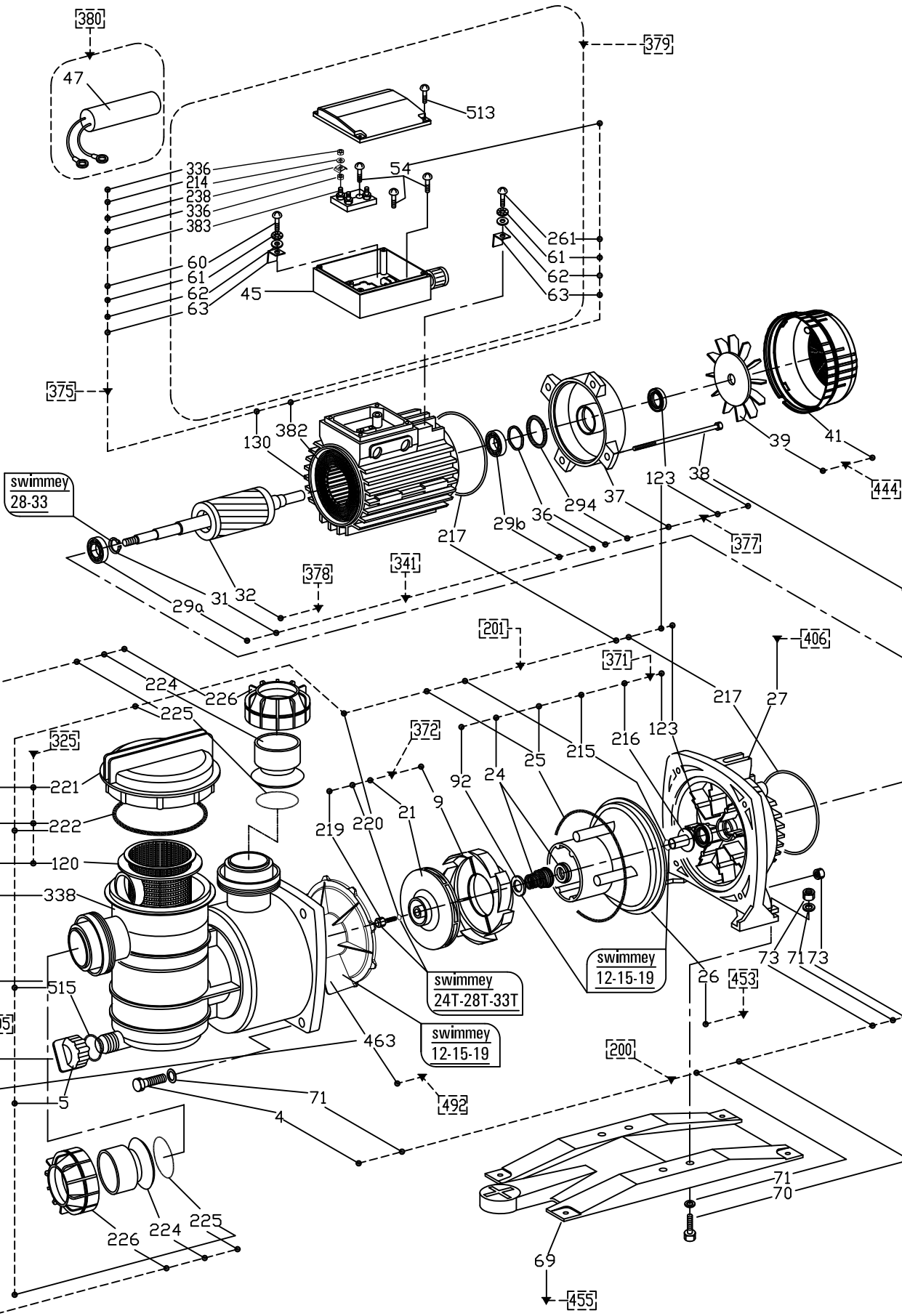


B

B

A

A



Pentair Water Italy S.r.l.
Via Masaccio, 13
56010 Lugnano (PI)
ITALY

Drawn M.Di Nasso
Approved M.Bernacca

Title SWIMMEY
Date (dd/mm/yy) 16-09-2015

Dwg # DR100003_03

Sheet 1 of 1

This drawing is the absolute property of Pentair Water Italy S.r.l. It may not be reproduced in any form without the written permission of Pentair Water Italy S.r.l.