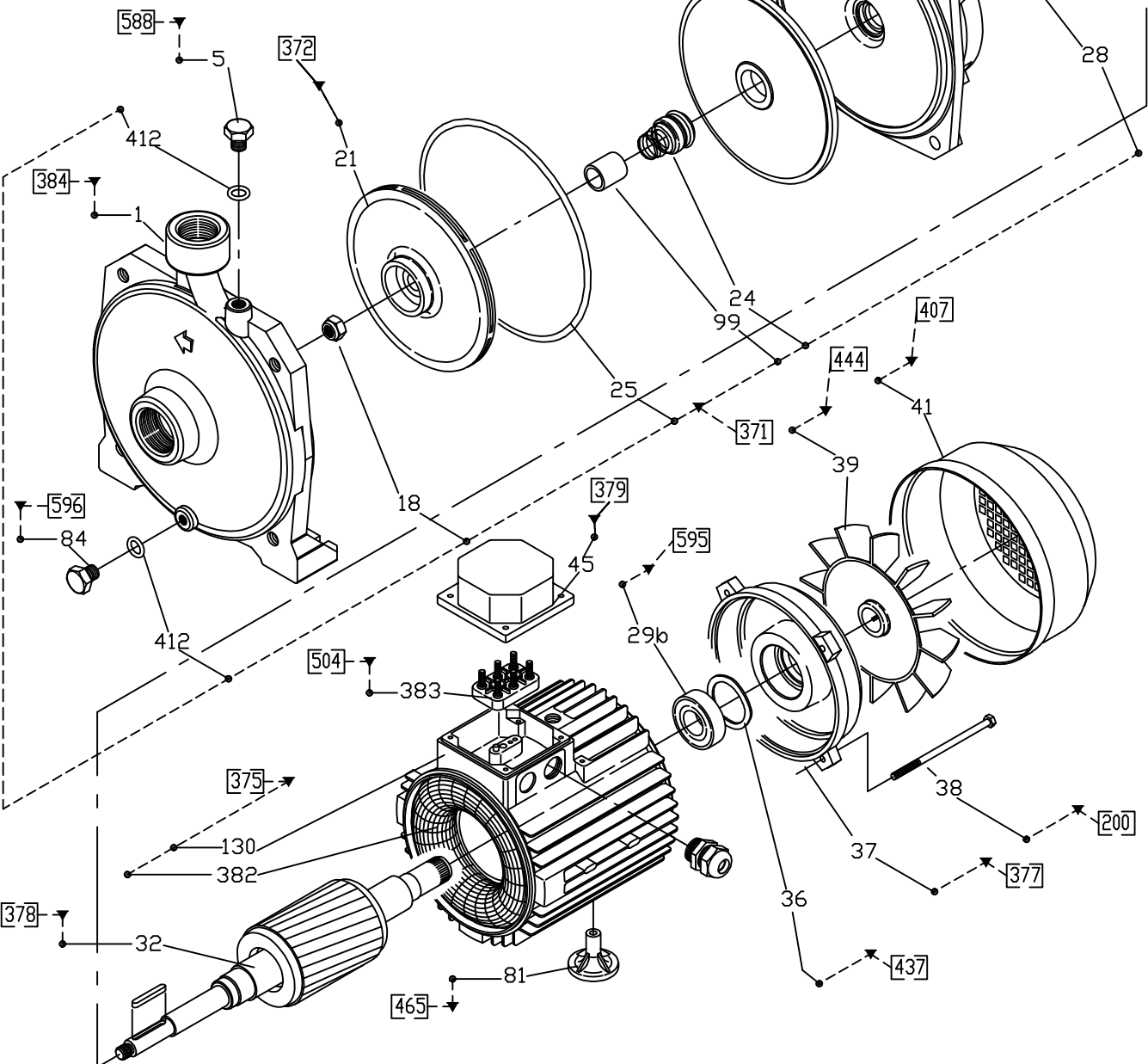
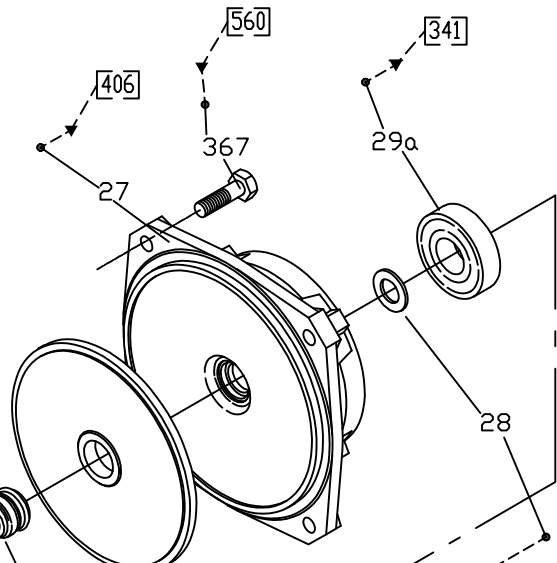
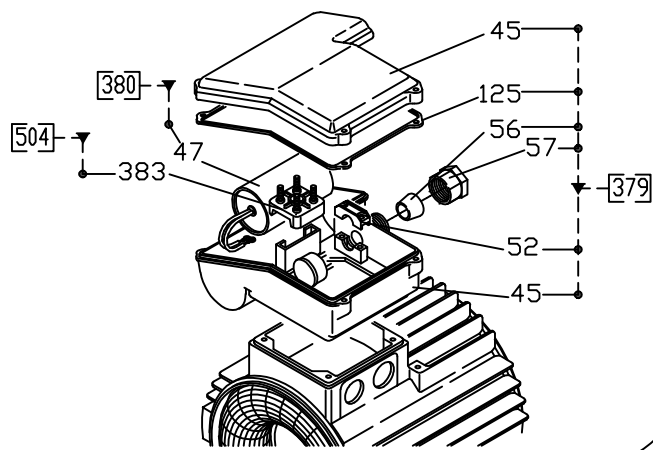




1~



Pentair Water Italy S.r.l.  
Via Masaccio, 13  
56010 Lugnano (PI)  
ITALY

Drawn M.Di Nasso  
Approved M.Bernacca

Title CM  
Date (dd/mm/yy) 17/01/2023

Dwg # DR230001\_00

Sheet 1 of 1

This drawing is the absolute property of Pentair Water Italy S.r.l. It may not be reproduced in any form without the written permission of Pentair Water Italy S.r.l.